



Fitting Gas Springs is now Easier than Ever

SFC Offers a range of mounting brackets for it's industry leading gas spring range.

Benefits

High corrosion resistance, 72 hours salt spray under ASTM B117

Wide range of styles, including 90 degree, flat and raised

Designed to accept DIN/ISO standard fixings

Drilled to accept M4 and M6 fixings

Cycle tested for standard force capability 800 Newton's

Ease of assembly with ball pins for ball cups and threaded pins for lock nuts and split pins

The new brackets are designed to suit the extensive range of end fittings, creating a wide range of easy to assemble fixing options.

This flexibility makes SFC products more attractive than ever, combined with our unique Vari-Lift technology, which allows design engineers to vary the gas spring pressure during prototyping.

The brackets are available in a wide range of styles, including 90 degree, flat and raised, the new brackets are drilled to accept M4 and M6 fixings - making it easier to fasten to timber and steel frameworks using screws or dowels.

They are designed to accept DIN / ISO standard fixings.

Manufactured in carbon steel with a zinc and yellow passivate coating, the components have passed a minimum of 72 hours salt spray testing under ASTM B117.

The brackets are designed for ease of assembly with ball pins for ball cups and ISO thread for threaded pins for lock nuts and split pins. The brackets combine compact design with strength - offering an extensive force range capability.

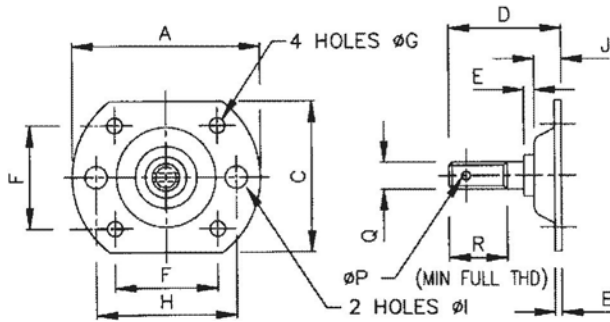
Gas Springs Brackets



Raised Bracket with Pin (004258E)

Style	Code	A	B	C	D	E	F	G	H	I	J	K	L	M	N	O	P	Q	R	Recommended End Fitting			
Raised Pin	KPR	55	2	44	33	3	30	4.3	41	6.5	8	-	-	-	-	-	2.5	M8 x 1.25	16	E3	F2	Z2	Z4

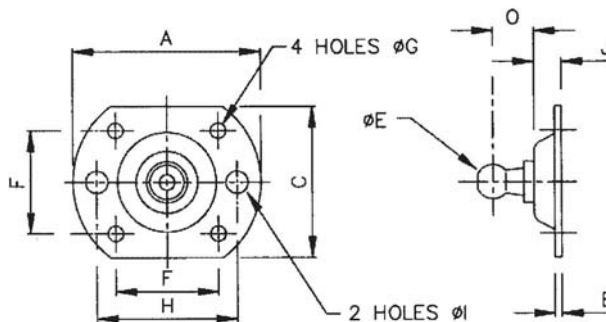
Dimensions are in (mm)



Raised Bracket with Ball (004412E)

Style	Code	A	B	C	D	E	F	G	H	I	J	K	L	M	N	O	P	Q	R	Recommended End Fitting		
Raised Ball	KBR	55	2	44	-	10	30	4.3	41	6.5	8	-	-	-	-	12	-	-	-	B8	P8	P9

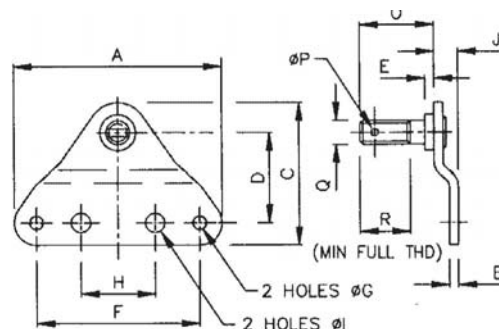
Dimensions are in (mm)



Flat Bracket with Threaded Pin (004266E)

Style	Code	A	B	C	D	E	F	G	H	I	J	K	L	M	N	O	P	Q	R	Recommended End Fitting			
Flat	KPF	70	3	48	30	3	55	4.3	25	6.5	8	-	-	-	-	25	2.5	M8 x 1.25	16	E3	F2	Z2	Z4

Dimensions are in (mm)



T: + 44 (0)1803 868677 • F: + 44 (0)1803 868678

E: sales@specialty-fasteners.co.uk

W: www.specialty-fasteners.co.uk

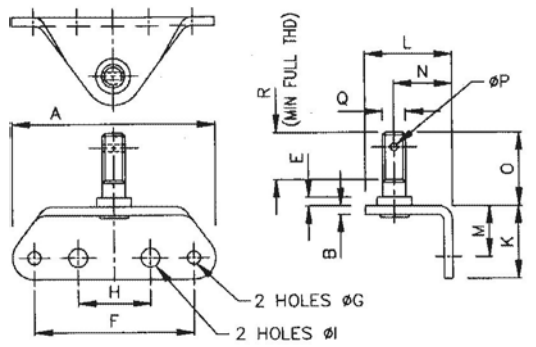
**SPECIALTY
FASTENERS &
COMPONENTS LTD**



90 Degree Bracket with Threaded Pin (004267E)

Style	Code	A	B	C	D	E	F	G	H	I	J	K	L	M	N	O	P	Q	R	Recommended End Fitting				
Flat	KPN	70	3	-	-	3	55	4.3	25	6.5	-	25	30	18	20	25	2.5	M8 x 1.25	16		E3	F2	Z2	Z4

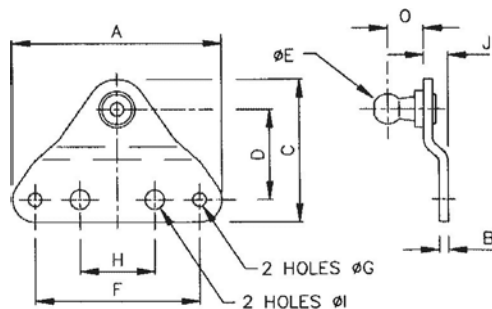
Dimensions are in (mm)



Flat Bracket with Ball Pin (004262E)

Style	Code	A	B	C	D	E	F	G	H	I	J	K	L	M	N	O	P	Q	R	Recommended End Fitting			
Flat	KBF	70	3	48	30	10	55	4.3	25	6.5	8	-	-	-	-	12	-	-	-	B8	P8	P9	

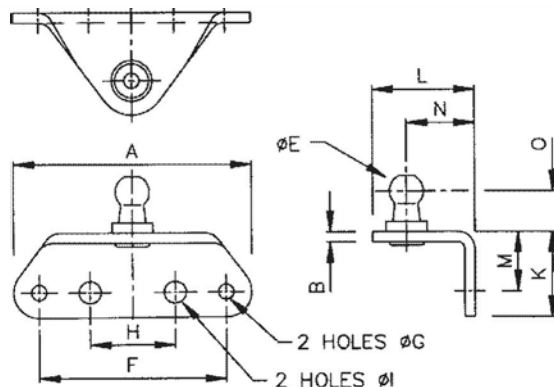
Dimensions are in (mm)



90 Degree Bracket with Ball Pin (004263E)

Style	Code	A	B	C	D	E	F	G	H	I	J	K	L	M	N	O	P	Q	R	Recommended End Fitting			
90 Deg	KBN	70	3	-	-	10	55	4.3	25	6.5	-	25	30	18	20	12	-	-	-	B8	P8	P9	

Dimensions are in (mm)



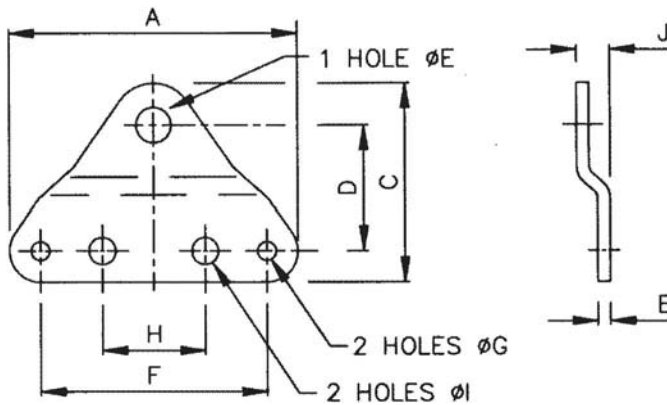
Gas Springs Brackets



Flat Bracket with Plain Hole (004264E)

Style	Code	A	B	C	D	E	F	G	H	I	J	K	L	M	N	O	P	Q	R	Recommended End Fitting			
Flat	KHF	70	3	48	30	8.5	55	4.3	25	6.5	8	-	-	-	-	-	-	-	-	-	B2	BN	P5

Dimensions are in (mm)



90 Degree Bracket with Plain Hole (004265E)

Style	Code	A	B	C	D	E	F	G	H	I	J	K	L	M	N	O	P	Q	R	Recommended End Fitting			
90 Deg	KHN	70	3	-	-	8.5	55	4.3	25	6.5	-	25	30	18	20	-	-	-	-	-	B2	BN	P5

Dimensions are in (mm)

