

Features

Max. tensile strength 4.700 N, working load 3.100 N.

Small fastener for high tensile load.

Large range of stud assemblies with fixed and floating receptacles

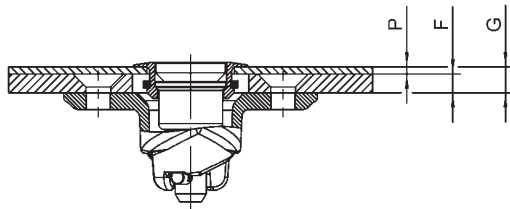
Selection Instructions

1. Select stud assembly, page G-4 and G-5, grommet and snap-on retaining ring, page G-7 and receptacle, page G-8 and G-9.
2. Select retaining washer, page G-6, for studs from length no. 16.
3. Select stud length number from total thickness G using the formula and the table on page G-2 and G-3 (e.g. D 4002-*AGV).

Determining the stud length number when using receptacle:

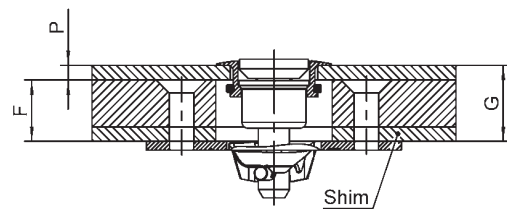
Standard version

Type 1 + 2



$$G = P + F$$

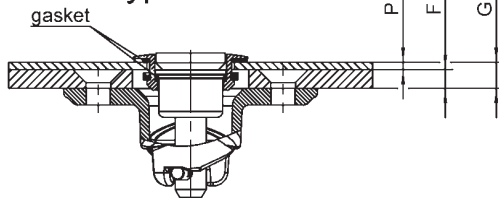
Type 3



$$G = P + F (8,9 \text{ min.})$$

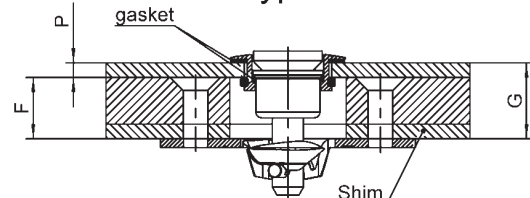
Sealed version

Type 1 + 2



$$G = P + F + 0,75$$

Type 3



$$G = P + F (8,9 \text{ min.}) + 0,75$$

When Using the Following Grommet and Receptacles: Flush Mounting Grommets D4002-G-AGV D4002-H-AGV					
Total Thickness G	Stud Length No. When Using Type 1 Receptacles	Total Thickness G	Stud Length No. When Using Type 2 Receptacles	Total Thickness G	Stud Length No. When Using Type 3 Receptacles
0,50 - 1,30	-	0,50 - 1,30	-	8,90 - 9,65	2
1,30 - 2,05	-	1,30 - 2,05	2	9,65 - 10,40	3
2,05 - 2,80	2	2,05 - 2,80	3	10,40 - 11,20	4
2,80 - 3,55	3	2,80 - 3,55	4	11,20 - 11,95	5
3,55 - 4,30	4	3,55 - 4,30	5	11,95 - 12,70	6
4,30 - 5,10	5	4,30 - 5,10	6	12,70 - 13,50	7
5,10 - 5,85	6	5,10 - 5,85	7	13,50 - 14,20	8
5,85 - 6,60	7	5,85 - 6,60	8	14,20 - 15,00	9
6,60 - 7,30	8	6,60 - 7,30	9	15,00 - 15,75	10
7,30 - 8,15	9	7,30 - 8,15	10	15,75 - 16,50	11
8,15 - 8,90	10	8,15 - 8,90	11	16,50 - 17,30	12
8,90 - 9,65	11	8,90 - 9,65	12	17,30 - 18,00	13
9,65 - 10,40	12	9,65 - 10,40	13	18,00 - 18,80	14
10,40 - 11,20	13	10,40 - 11,20	14	18,80 - 19,55	15
11,20 - 11,95	14	11,20 - 11,95	15	19,55 - 20,30	16
11,95 - 12,70	15	11,95 - 12,70	16	20,30 - 21,10	17
12,70 - 13,50	16	12,70 - 13,50	17	21,10 - 21,85	18
13,50 - 14,20	17	13,50 - 14,20	18	21,85 - 22,60	19
14,20 - 15,00	18	14,20 - 15,00	19	22,60 - 23,40	20
15,00 - 15,75	19	15,00 - 15,75	20	23,40 - 24,15	21
15,75 - 16,50	20	15,75 - 16,50	21	24,15 - 24,90	22
16,50 - 17,30	21	16,50 - 17,30	22	24,90 - 25,65	23
17,30 - 18,00	22	17,30 - 18,00	23	25,65 - 26,40	24
18,00 - 18,80	23	18,00 - 18,80	24	26,40 - 27,20	25
18,80 - 19,55	24	18,80 - 19,55	25	27,20 - 27,95	26
19,55 - 20,30	25	19,55 - 20,30	26	27,95 - 28,70	27
20,30 - 21,10	26	20,30 - 21,10	27	28,70 - 29,50	28
21,10 - 21,85	27	21,10 - 21,85	28	29,50 - 30,20	29
21,85 - 22,60	28	21,85 - 22,60	29	30,20 - 31,00	30
22,60 - 23,40	29	22,60 - 23,40	30	31,00 - 31,75	31
23,40 - 24,15	30	23,40 - 24,15	31	31,75 - 32,50	32
24,15 - 24,90	31	24,15 - 24,90	32	32,50 - 33,30	33
24,90 - 25,65	32	24,90 - 25,65	33	33,30 - 34,05	34
25,65 - 26,40	33	25,65 - 26,40	34	34,05 - 34,80	35
26,40 - 27,20	34	26,40 - 27,20	35		
27,20 - 27,95	35	26,40 - 27,20	35		

Other lengths on request.

■ Preferred dash-lengths

When Using the Following Grommet and Receptacles: Plus Flush Mounting Grommets D4002-N-AGV D4002-O-AGV D4002-P-AGV D4002-R-AGV					
Total Thickness G	Stud Length No. When Using Type 1 Receptacles	Total Thickness G	Stud Length No. When Using Type 2 Receptacles	Total Thickness G	Stud Length No. When Using Type 3 Receptacles
0,50 - 1,30	1	0,50 - 1,30	2	8,90 - 9,65	3
1,30 - 2,05	2	1,30 - 2,05	3	9,65 - 10,40	4
2,05 - 2,80	3	2,05 - 2,80	4	10,40 - 11,20	5
2,80 - 3,55	4	2,80 - 3,55	5	11,20 - 11,95	6
3,55 - 4,30	5	3,55 - 4,30	6	11,95 - 12,70	7
4,30 - 5,10	6	4,30 - 5,10	7	12,70 - 13,50	8
5,10 - 5,85	7	5,10 - 5,85	8	13,50 - 14,20	9
5,85 - 6,60	8	5,85 - 6,60	9	14,20 - 15,00	10
6,60 - 7,30	9	6,60 - 7,30	10	15,00 - 15,75	11
7,30 - 8,15	10	7,30 - 8,15	11	15,75 - 16,50	12
8,15 - 8,90	11	8,15 - 8,90	12	16,50 - 17,30	13
8,90 - 9,65	12	8,90 - 9,65	13	17,30 - 18,00	14
9,65 - 10,40	13	9,65 - 10,40	14	18,00 - 18,80	15
10,40 - 11,20	14	10,40 - 11,20	15	18,80 - 19,55	16
11,20 - 11,95	15	11,20 - 11,95	16	19,55 - 20,30	17
11,95 - 12,70	16	11,95 - 12,70	17	20,30 - 21,10	18
12,70 - 13,50	17	12,70 - 13,50	18	21,10 - 21,85	19
13,50 - 14,20	18	13,50 - 14,20	19	21,85 - 22,60	20
14,20 - 15,00	19	14,20 - 15,00	20	22,60 - 23,40	21
15,00 - 15,75	20	15,00 - 15,75	21	23,40 - 24,15	22
15,75 - 16,50	21	15,75 - 16,50	22	24,15 - 24,90	23
16,50 - 17,30	22	16,50 - 17,30	23	24,90 - 25,65	24
17,30 - 18,00	23	17,30 - 18,00	24	25,65 - 26,40	25
18,00 - 18,80	24	18,00 - 18,80	25	26,40 - 27,20	26
18,80 - 19,55	25	18,80 - 19,55	26	27,20 - 27,95	27
19,55 - 20,30	26	19,55 - 20,30	27	27,95 - 28,70	28
20,30 - 21,10	27	20,30 - 21,10	28	28,70 - 29,50	29
21,10 - 21,85	28	21,10 - 21,85	29	29,50 - 30,20	30
21,85 - 22,60	29	21,85 - 22,60	30	30,20 - 31,00	31
22,60 - 23,40	30	22,60 - 23,40	31	31,00 - 31,75	32
23,40 - 24,15	31	23,40 - 24,15	32	31,75 - 32,50	33
24,15 - 24,90	32	24,15 - 24,90	33	32,50 - 33,30	34
24,90 - 25,65	33	24,90 - 25,65	34	33,30 - 34,05	35
25,65 - 26,40	34	25,65 - 26,40	35		
26,40 - 27,20	35	25,65 - 26,40	35		


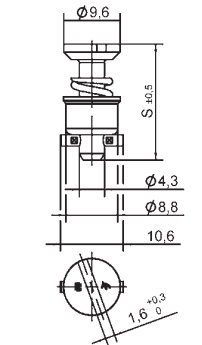

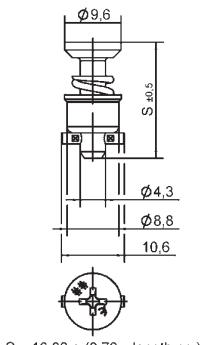

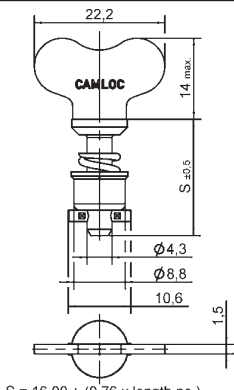

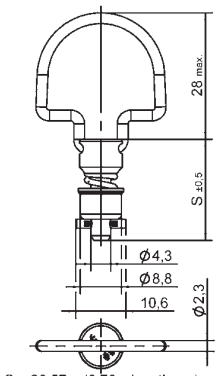
Other lengths on request.

■ Preferred dash-lengths


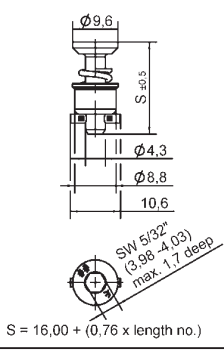

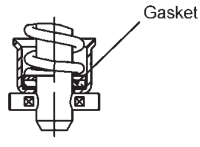

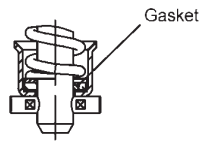
Quarter Turn Fasteners

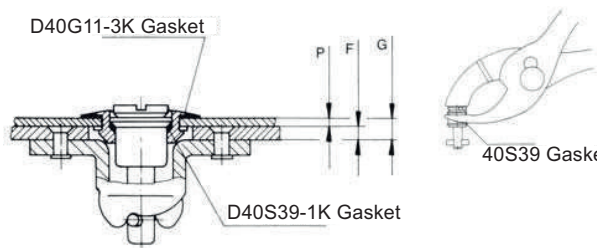
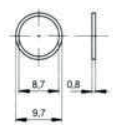
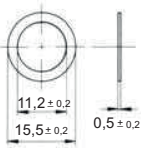
D 4002 Series - Medium Duty - 4700n
Stud Assemblies



Style	Dimensions	Materials / Finish	°C	Part No.
Slotted Recess Head 	 <p>$S = 16,00 + (0,76 \times \text{length no.})$</p>	Steel / zinc-plated, CrVI-free, clear passivation	120	D4002-*AGV
Cross Recess Head 	 <p>$S = 16,00 + (0,76 \times \text{length no.})$</p>	Steel / zinc-plated CrVI-free, clear passivation	120	D40S5-*AGV
Fixed Wing Head 	 <p>$S = 16,00 + (0,76 \times \text{length no.})$</p>	Steel / zinc-plated, CrVI-free, clear passivation	120	D4002-*WAGV
180° Folding Bail Handle 	 <p>$S = 20,57 + (0,76 \times \text{length no.})$</p>	Steel / zinc-plated, CrVI-free, clear passivation	120	D40S42-*AGV

* Length no. from Table, page G-2 and G-3

Style	Dimensions	Materials / Finish	°C	Part No.
Hex Recess Head 	 <p>S = 16,00 + (0,76 x length no.)</p>	Steel / zinc-plated, CrVI-free, clear passivation	120	D40E28- *AGV
Sealed Slotted Recess Head 	 <p>Additional required gasket see page G-4</p>	Steel / zinc-plated, CrVI-free, clear passivation Gasket: Rubber	100	D4002I-*AGV
Sealed Cross Recess Head 	 <p>Additional required gasket see page G-4</p>	Steel / zinc-plated, CrVI-free, clear passivation Gasket: Rubber	100	D40S5I-*AGV

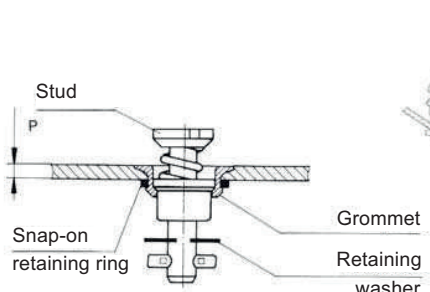
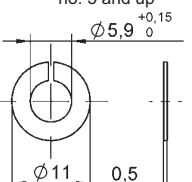
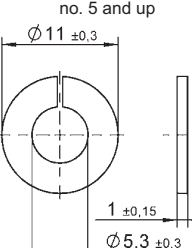


Installation Dimensions	Accessories	Materials / Finish	Part No.
<p>Gasket to be ordered in addition to the sealed stud assembly</p> 	<p>Gasket</p>  <p>Gasket</p> 	Plastic / (PA6) EPDM black	D40S39-1K D40G11-3K


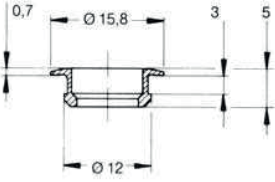

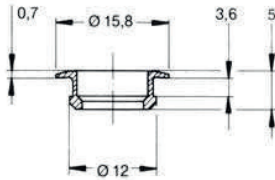

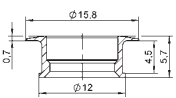

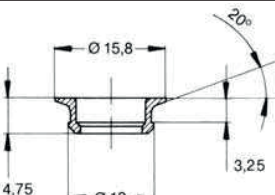

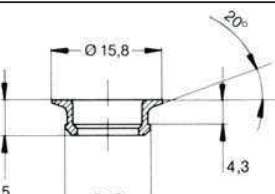
* Length no. from Table, page G-2 and G-3

Quarter Turn Fasteners

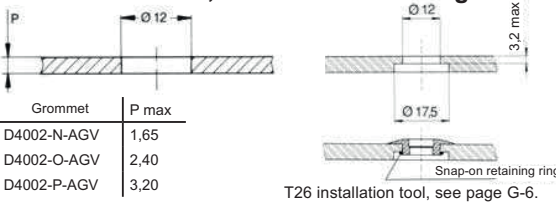
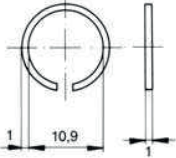
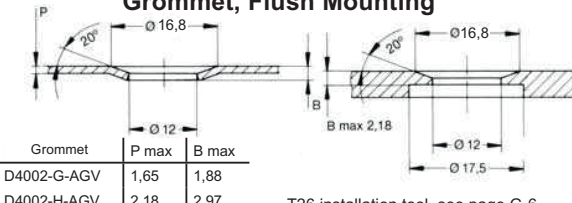
D 4002 Series - Medium Duty - 4700n
Stud Assemblies



Installation Dimensions	Accessories	Materials / Finish	Part No.
 <p>4P3-1 installation pliers, see below</p>	<p>retaining ring loose on stud use for stud length no. 5 and up</p>  <p>retaining ring loose on stud use for stud length no. 5 and up</p> 	<p>Stainless steel</p> <p>Plastic</p>	<p>4002-SW-SS</p> <p>50W204-01K</p>
	<p>Stud installation pliers</p>		<p>4P3-1</p>
	<p>R4G-* and V40G26-1N snap-on retaining ring installation tool</p>		<p>T26</p>

Style	Dimensions	Materials / Finish	°C	Part No.
Plus Flush Mounting For Panel Thickness up to 1,65 		Steel / zinc-plated, CrVI-free, clear passivation	120	D4002-N-AGV
Plus Flush Mounting For Panel Thickness from 1,65 to 2,40 		Steel / zinc-plated, CrVI-free, clear passivation	120	D4002-O-AGV
Plus Flush Mounting For Panel Thickness from 2,40 to 3,20 		Steel / zinc-plated, CrVI-free, clear passivation	120	D4002-P-AGV
Flush Mounting For Panel Thickness up to 1,65 		Steel / zinc-plated, CrVI-free, clear passivation	120	D4002-G-AGV
Flush Mounting For Panel Thickness from 1,65 to 2,18 		Steel / zinc-plated, CrVI-free, clear passivation	120	D4002-H-AGV


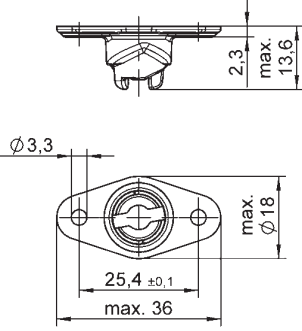

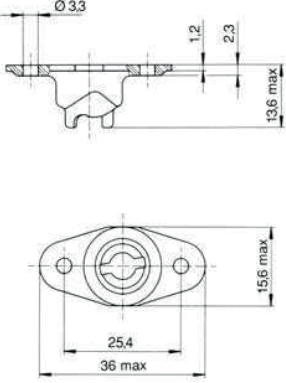

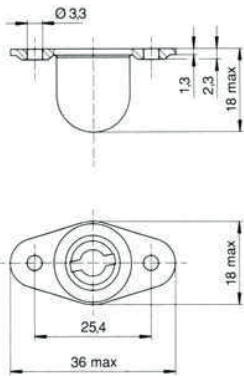
Grommets for thicker panels upon request.


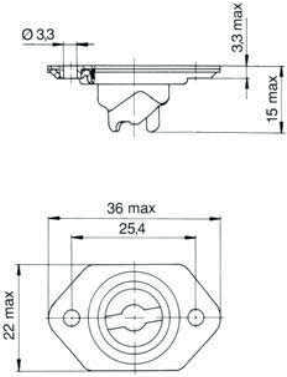

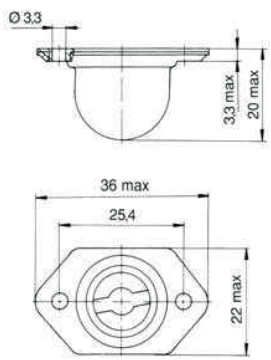

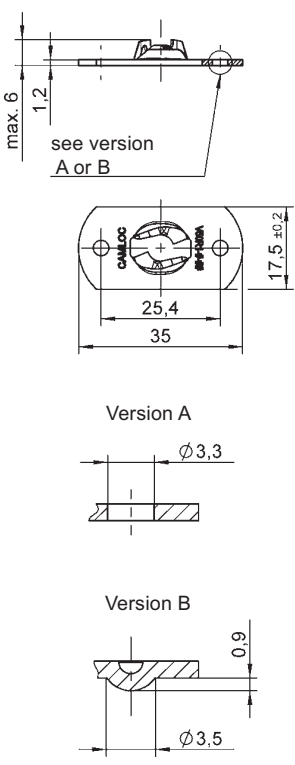
Installation Dimensions	Accessories	Materials / Finish	Part No.									
<p>Grommet, Plus Flush Mounting</p>  <table border="1"> <thead> <tr> <th>Grommet</th> <th>P max</th> </tr> </thead> <tbody> <tr> <td>D4002-N-AGV</td> <td>1,65</td> </tr> <tr> <td>D4002-O-AGV</td> <td>2,40</td> </tr> <tr> <td>D4002-P-AGV</td> <td>3,20</td> </tr> </tbody> </table> <p>T26 installation tool, see page G-6.</p>	Grommet	P max	D4002-N-AGV	1,65	D4002-O-AGV	2,40	D4002-P-AGV	3,20	<p>Snap-on retaining ring</p> 	Steel / zinc plated, CrVI-free, clear passivation	R4G-3	
Grommet	P max											
D4002-N-AGV	1,65											
D4002-O-AGV	2,40											
D4002-P-AGV	3,20											
<p>Grommet, Flush Mounting</p>  <table border="1"> <thead> <tr> <th>Grommet</th> <th>P max</th> <th>B max</th> </tr> </thead> <tbody> <tr> <td>D4002-G-AGV</td> <td>1,65</td> <td>1,88</td> </tr> <tr> <td>D4002-H-AGV</td> <td>2,18</td> <td>2,97</td> </tr> </tbody> </table> <p>T26 installation tool, see page G-6.</p>	Grommet	P max	B max	D4002-G-AGV	1,65	1,88	D4002-H-AGV	2,18	2,97			
Grommet	P max	B max										
D4002-G-AGV	1,65	1,88										
D4002-H-AGV	2,18	2,97										

Quarter Turn Fasteners

D 4002 Series - Medium Duty - 4700n
Receptacles



Style	Dimensions	Materials / Finish	°C	Part No.
Type 1 Cast 		Hard bronze / zinc-plated, CrVI-free, clear passivation	120	D214-16FGV
Type 1 Cast Narrow Width 		Hard bronze / zinc-plated, CrVI-free, clear passivation	120	D214-16NFGV
Type 1 Cast Encapsulated 		Hard bronze / zinc-plated, CrVI-free, clear passivation Capsule: Brass / zinc-plated, CrVI-free, clear passivation	150	D40R12-1FGV

Style	Dimensions	Materials / Finish	°C	Part No.
<p>Type 2 Float up to 0,75 mm* (Cast Receptacle)</p> 		<p>Hard bronze / zinc-plated, CrVI-free, clear passivation</p> <p>Cage: Steel / zinc-plated, CrVI-free, clear passivation</p>	120	D244-16-FGV
<p>Type 2 Float up to 0,75 mm* Encapsulated</p> 		<p>Hard bronze / zinc-plated, CrVI-free, clear passivation</p> <p>Capsule: Steel / zinc-plated, CrVI-free, clear passivation</p>	120	D244-16C-FGV
<p>Type 3 Flat Rivet / Screw or Weld Mounting</p> 		<p>Rivet / Screw Mounting Hard bronze / zinc-plated, CrVI-free, clear passivation</p> <p>Welding Steel / zinc-plated</p>	120 -	V50R1-1-1AGV V50R1-1-2AZ V50R1-1-2AR

Installation Dimensions

Types 1, 2 and 3 Receptacle Hole Pattern

