

Wire Lock Pins

Wire lock pins are like having pin and cotter in one secure assembly. The wire loop is pulled over the pin end to lock it in place or remove it. This one piece fastener eliminates cotter pin loss and fits most quick release applications.

Made of low carbon steel, zinc plated. Wire loop of hard drawn MB spring wire.

Keep your pin in place with Nylon Lanyards - see pages 17 QRP to 22 QRP

Wire Lock Pins - Zinc Plated

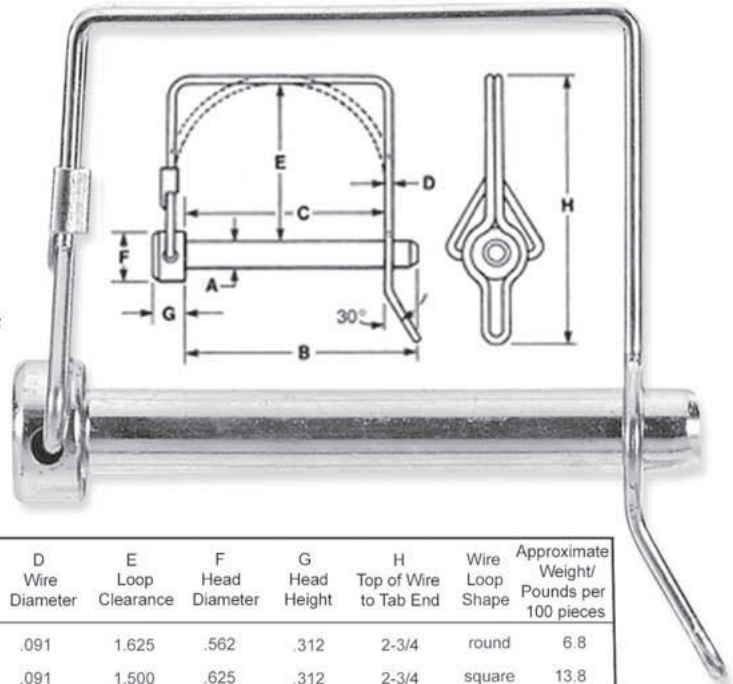
Part No.	Size	A Pin Diameter	B Pin Length	C Effective Length	D Wire Diameter	E Loop Clearance	F Head Diameter	G Head Height	Wire Loop Shape	Approximate Weight/Pounds per 100 pieces
WIRE-1RD	1/4 x 2	.243 - .248	2.000	1.750	.091	1.625	.562	.312	round	6.5
WIRE-3SQ	5/16 x 2-3/4	.306 - .311	2.750	2.500	.091	1.750	.625	.312	square	10.6
WIRE-3RD	5/16 x 2-3/4	.306 - .311	2.750	2.500	.091	2.000	.625	.312	round	10.6
WIRE-7SQ	3/8 x 2-1/2	.368 - .373	2.500	2.250	.091	1.500	.625	.312	square	12.5

Unless otherwise noted, all dimensions are for reference only.

Tab Lock Pins

Even easier to use than standard wire lock pins. Pull up on tab to remove, push down on wire loop to lock. Tab acts as a load ramp which guides wire loop to a locked position when installing. Made of low carbon steel, zinc plated. Wire loop of hard drawn MB spring wire.

Keep your pin in place with Nylon Lanyards - see pages 17 QRP to 22 QRP



Tab Lock Pins - Zinc Plated

Part No.	Size	A Pin Diameter	B Pin Length	C Effective Length	D Wire Diameter	E Loop Clearance	F Head Diameter	G Head Height	H Top of Wire to Tab End	Wire Loop Shape	Approximate Weight/ Pounds per 100 pieces
T- LOCK- 1RD	1/4 x 2	.234-.248	2.00	1.750	.091	1.625	.562	.312	2-3/4	round	6.8
T- LOCK- 8SQ	3/8 x 2-3/4	.368-.373	2.75	2.25	.091	1.500	.625	.312	2-3/4	square	13.8

Unless otherwise noted, all dimensions are for reference only.