

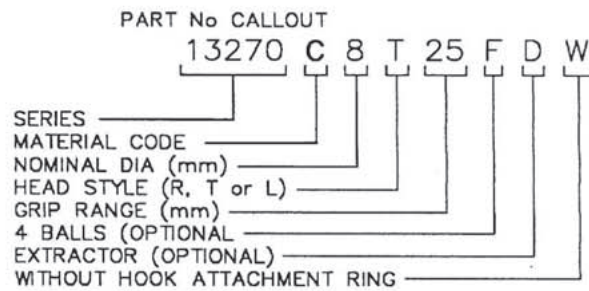
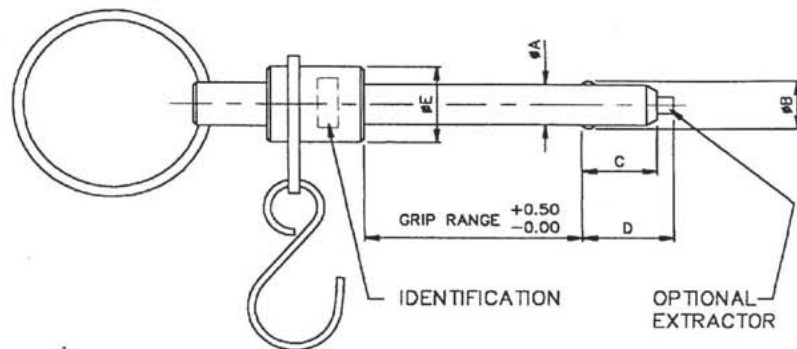
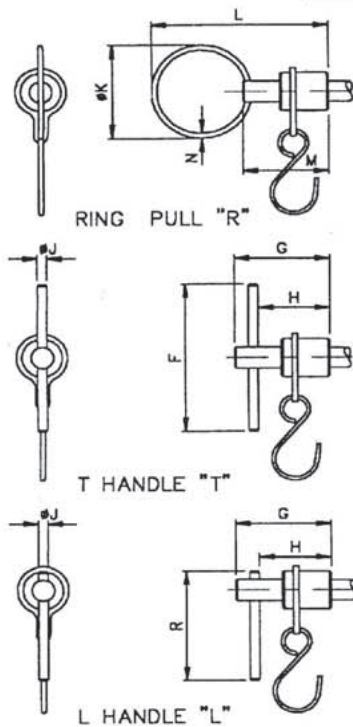


MADE TO ORDER

Ball Lock Pins 13270 Metric Series

Stainless steel double-acting ball lock pin. Positive locking until released by pushing or pulling the plunger to allow the locking balls to retract.

QUICK RELEASE PIN MATERIAL CODES	
Material Code	'C'
Pin Body	Stainless Steel AISI 431 heat treated to Rc.40
Actuating Rod	AISI 431
Spring	17-7PH



13270 Series (dimensions mm)

Nom Dia.	ØA +0.00 -0.004	ØB ±0.25	C +0.0 -1.3	D Max	ØE Max	F Max	G Max	H Min	ØJ Min	ØK Max	L Max	M Min	N Min	R Max	Double Shear* daN	Hole Dia	
																Max	Min
6	5.96	6.98	10.41	12.70	11.43	44.45	26.4	19.81	2.66	28	49.00	23.74	2	33.02	3632	6.10	6.00
8	7.96	9.43	11.18	13.97	12.83	44.45	26.4	19.81	2.66	28	49.00	23.74	2	33.02	6472	8.10	8.00
10	9.96	11.86	12.95	16.26	16.00	50.80	27.7	21.08	3.40	28	51.00	25.40	2	38.10	10177	10.12	10.00
12	11.96	14.45	14.99	19.81	16.00	57.15	35.5	22.35	5.08	28	52.00	27.17	2	42.04	14718	12.12	12.00
14	13.96	16.94	16.76	20.83	19.18	57.15	35.5	22.35	5.08	28	52.00	27.17	2	42.04	20094	14.12	14.00
16	15.96	19.00	19.05	23.62	22.10	63.50	37.4	25.40	5.86	38	64.50	31.75	3	45.98	26307	16.12	16.00
18	17.96	20.91	20.07	25.40	24.38	63.50	37.4	25.40	5.86	38	64.50	31.75	3	45.98	33257	18.17	18.00
20	19.96	24.08	20.07	25.40	24.38	63.50	37.4	25.40	5.86	38	64.50	31.75	3	45.98	41129	20.17	20.00
22	21.96	26.49	24.13	29.97	29.21	73.03	41.7	29.97	5.86	38	70.00	36.50	3	57.15	49835	22.17	22.00
24	23.96	27.74	27.94	34.29	32.51	73.03	46.5	33.53	5.86	38	74.90	40.90	3	57.15	59250	24.17	24.00
25	24.96	30.94	27.94	34.29	32.51	73.03	48.5	33.53	5.86	38	74.90	43.18	3	57.15	64395	25.25	25.00

*Double shear values are given in daN and should be confirmed by application trial.