

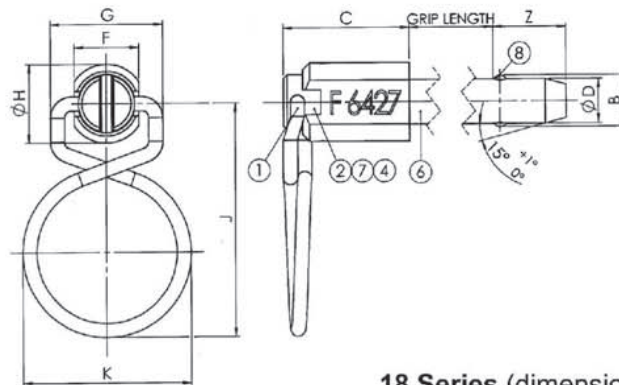


MADE TO ORDER

Ball Lock Pins 18 Series

Steel double-acting ball lock pin. Positive locking until released by pulling or pushing the plunger to allow the locking balls to retract. Equivalent to AGS standard parts

QUICK RELEASE PIN MATERIAL CODES				
COMPONENT		MATERIAL	HEAT TREATMENT	SURFACE TREATMENT
Item No.	Designation			
1	RING HANDLE	CRES 302 as per ASTM A313/A313M or ISO 6931-1:1994		Passivated as per AMS2700 method1 class1 type6
2	BUTTON	Alloy Steel 4130 as per AMS-S-6758	HRC 36 to 40	Cadium plated as per AMS-QQ-P-416 Type II class 2
4	SPRING	CRES 302 class 1 as per ASTM A313/A313M or EN10270-3:2001		Passivated as per AMS2700 method1 class1 type6
6	SHANK	Alloy Steel 4130 as per AMS-S-6758	HRC 36 to 40	Cadium plated as per AMS-QQ-P-416 Type II class 2
7	SPINDLE	Alloy Steel 4130 as per AMS-S-6758	HRC 36 to 40	Cadium plated as per AMS-QQ-P-416 Type II class 2
8	BALLS	CRES 440C as per AMS5630	HRC 58 to 64 per AMS-H-6875	Passivated as per AMS2700 method1 class1 type2



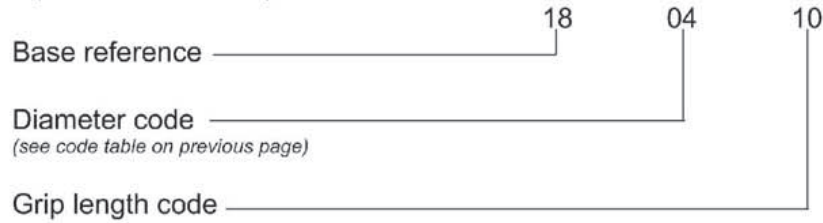
18 Series (dimensions in inches (mm))

Diameter Code	Diameter Nominal D		ØD		B ±0.005 (±0.13)	C	F	G	ØH	J	K	Z	Double shear* strength min lb (daN)
	Inch	mm	Max	Min									
04	1/4	6.35	0.2485 (6.31)	0.2470 (6.27)	0.289 (7.34)	0.740 (18.8)	0.362 (9.2)	0.630 (16)	0.433 (11)	1.299 (33)	0.945 (24)	0.291 (7.4)	8200 (3648)
05	5/16	7.94	0.3110 (7.90)	0.3095 (7.86)	0.375 (9.52)		0.445 (11.3)		0.500 (12.7)			0.350 (8.9)	12800 (5694)
06	3/8	9.52	0.3735 (9.49)	0.3720 (9.45)	0.440 (11.18)	0.900 (22.85)	0.525 (13.34)	0.900 (22.85)	0.624 (15.85)	1.390 (35.3)		0.401 (10.2)	18400 (8185)
07	7/16	11.11	0.4360 (11.07)	0.4345 (11.04)	0.509 (12.93)						0.984 (25)	0.480 (12.2)	25000 (11121)
08	1/2	12.70	0.4985 (12.66)	0.4970 (12.62)	0.594 (15.09)	0.913 (23.2)	0.709 (18)	1.079 (27.4)	0.787 (20)	1.508 (38.3)		0.500 (12.7)	32800 (14590)
09	9/16	14.28	0.5610 (14.25)	0.5595 (14.21)	0.666 (16.92)	0.972 (24.7)						0.560 (14.2)	41200 (18327)
10	5/8	15.88	0.6235 (15.84)	0.6220 (15.80)	0.750 (19.05)	1.05 (26.6)	0.920 (23.37)	1.079 (27.4)	1.00 (25.4)	1.779 (45.2)	1.142 (29)	0.560 (14.2)	51200 (22775)
12	3/4	19.05	0.7485 (19.01)	0.7470 (18.97)	0.887 (22.53)								73600 (32739)
14	7/8	22.22	0.8735 (22.19)	0.8720 (22.15)	1.046 (26.57)								100000 (44482)
16	1	25.40	0.9985 (25.36)	0.9970 (25.32)	1.219 (30.96)								131000 (58272)

*Double shear values are given in daN and should be confirmed by application trial.

Ball Lock Pins 18 Series cont'd

A part number example:



Grip Length Code	Grip length inches	Grip length mm	Diameter Code												
			04	05	06	07	08	09	10	12	14	16			
03	0.3	7.6	403												
04	0.4	10.2		504											
05	0.5	12.7	405		605										
06	0.6	15.2	406	506		706									
07	0.7	17.8	407	507	607		807								
08	0.8	20.3	408	508		708									
09	0.9	22.9	409		609		809								
10	1.0	25.4	410	510		710		910							
11	1.1	27.9	411		611		811								
12	1.2	30.5	412	512	612	712									
13	1.3	33.0	413		613										
14	1.4	35.6	414	514		714		914							
15	1.5	38.1	415		615		815		1015						
16	1.6	40.6		516		716		916							
17	1.7	43.2	417		617										
18	1.8	45.7	418	518	618		818								
19	1.9	48.3	419		619				1019						
20	2.0	50.8		520											
21	2.1	53.3	421		621				1021						
22	2.2	55.9	422	522				922							
23	2.3	58.4			623		823		1023						
24	2.4	61.0				724									
25	2.5	63.5	425	525			825								
26	2.6	66.0						926							
27	2.7	68.5					827								
28	2.8	71.1	428	528											
29	2.9	73.7													
30	3.0	76.2	430	530	630										
31	3.1	78.7			631										
33	3.3	83.8			633		833		1033						
35	3.5	88.9													
40	4.0	101.6			640										