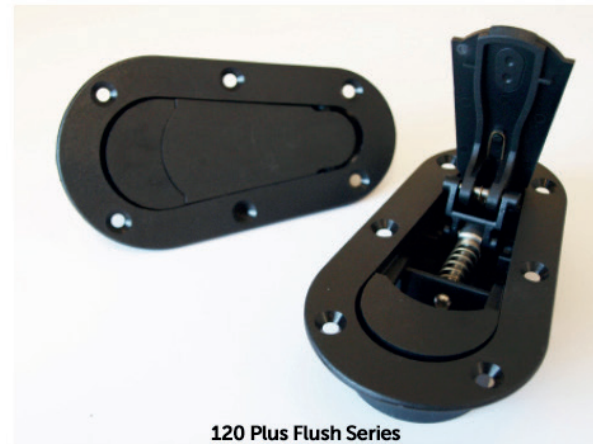




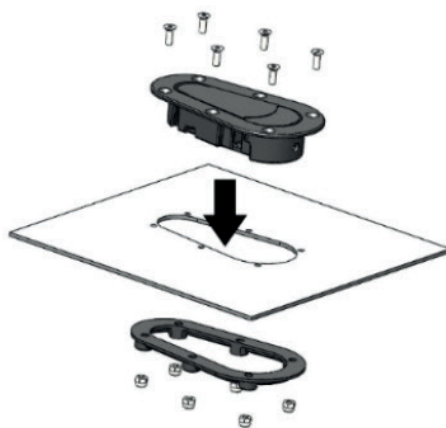
120 and 125 Series.....2
220 and 225 Series.....3
320 and 325 Series.....4



- Designed for BONNET, BOOT, HOOD, TRUNK, TAILGATE
- Suitable for STREET, RACE & RALLY

- Available in BLACK or CARBON LOOK finish
- Choose between LOCKING or NON-LOCKING

120 SERIES

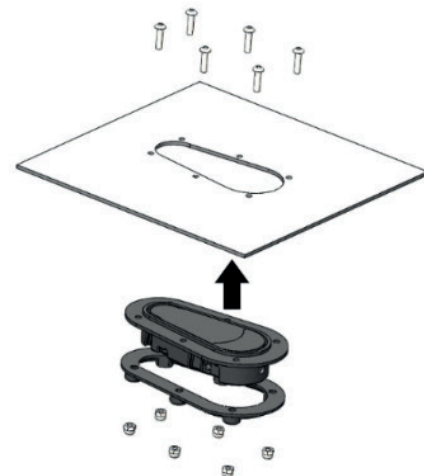


Fit AeroCatch from above panel

120 Series:

- 120-2000 Plus Flush Non-Locking
- 120-2100 Plus Flush Locking
- 120-3000 Plus Flush Non-Locking (Carbon Look)
- 120-3100 Plus Flush Locking (Carbon Look)
- 120-4000 Plus Flush Non-Locking (Steel strike pins)
- 120-4100 Plus Flush Locking (Steel strike pins)

125 SERIES



Fit AeroCatch from below panel

125 Series:

- 125-2000 Flush Non-Locking
- 125-2100 Flush Locking
- 125-3000 Flush Non-Locking (Carbon Look)
- 125-3100 Flush Locking (Carbon Look)
- 125-4000 Flush Non-Locking (Steel strike pins)
- 125-4100 Flush Locking (Steel strike pins)

AeroCatch is supplied as a kit of 2, complete with panel cut-out template, strike pins, and fixing hardware.

CAD MODELS ARE AVAILABLE UPON REQUEST: www.aerocatch.com/cad-drawing-request

www.aerocatch.com



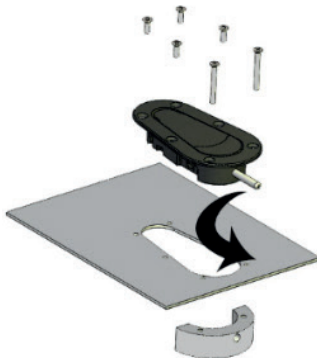
AeroCatch 2 in action



220 Plus Flush Series

IDEAL FOR: DECK HATCH, ENGINE COVER, HOOD, BONNET, TAILGATE, TRUNK

220 SERIES

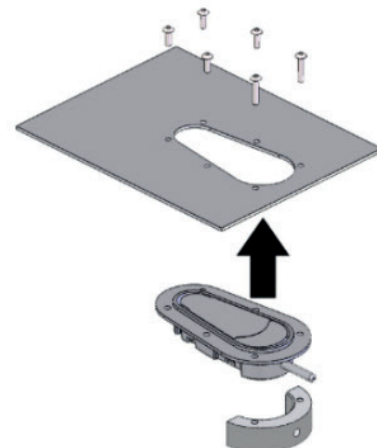


Fit AeroCatch from above panel

220 Series:

220-2000 Plus Flush

225 SERIES



Fit AeroCatch from below panel

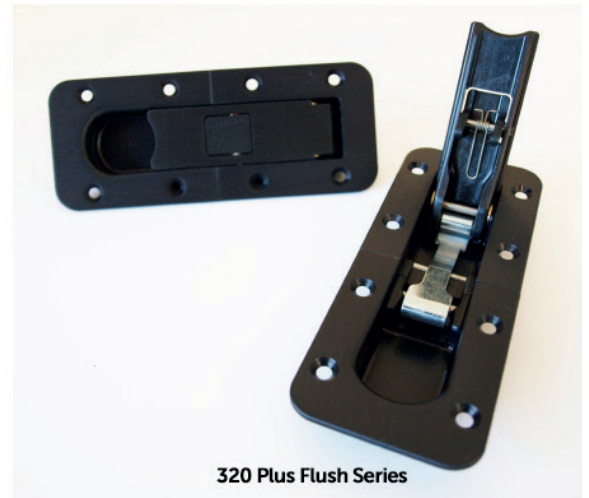
225 Series:

225-2000 Flush

AeroCatch 2 is supplied as a kit of 2, complete with panel cut-out template, extension shoes, spacers, and fixing hardware.

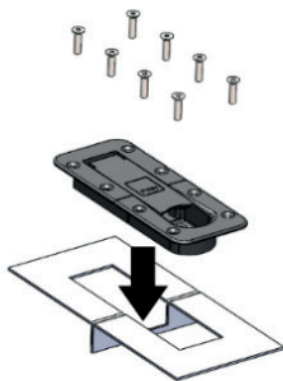
CAD MODELS ARE AVAILABLE UPON REQUEST: www.aerocatch.com/cad-drawing-request

www.aerocatch.com



FOR RACE & RALLY, LOCKING, NON LOCKING PLUS FLUSH & FLUSH OPTIONS

320 SERIES

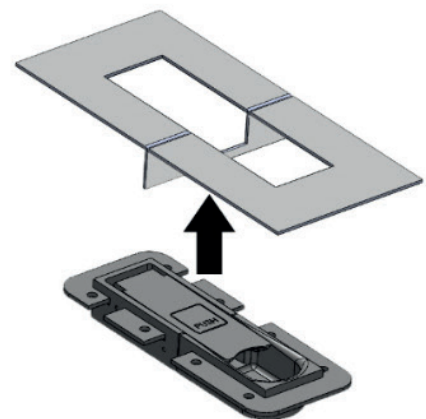


Fit AeroCatch from above panel

320 Series:

320-2000 Plus Flush

325 SERIES



Fit AeroCatch from below panel

325 Series:

325-2000 Flush

Aerocatch 3 is supplied as a kit of 2, complete with panel cut-out template, loading plates, and fixing hardware.

CAD MODELS ARE AVAILABLE UPON REQUEST: www.aerocatch.com/cad-drawing-request

www.aerocatch.com